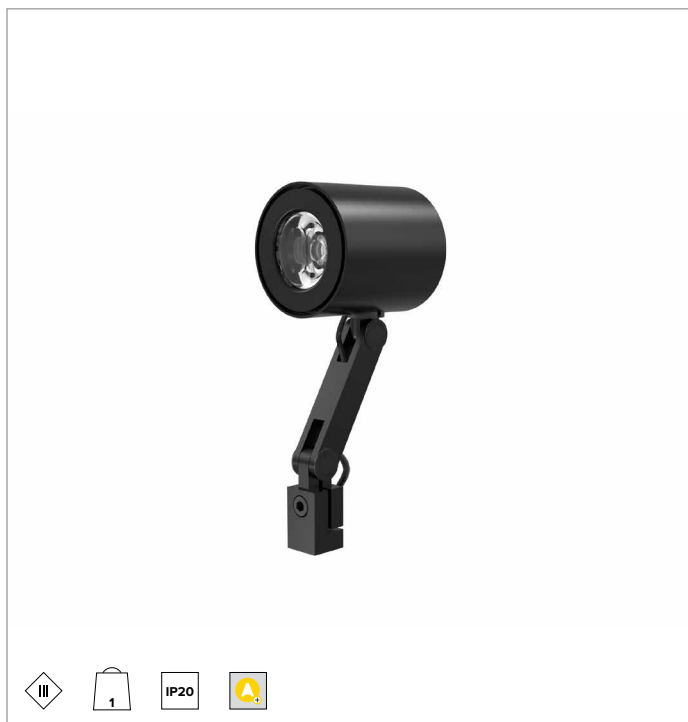
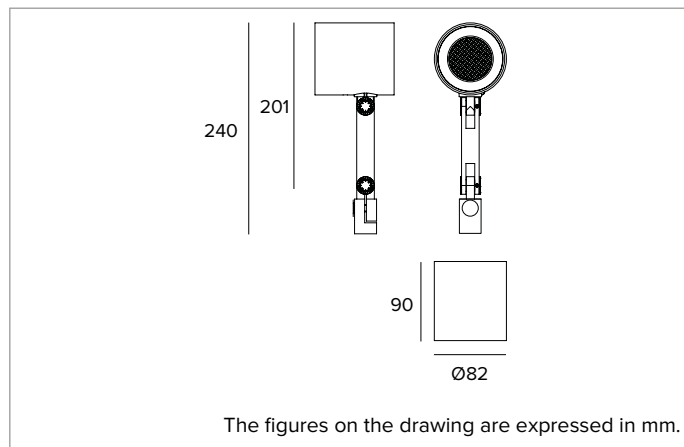


## T044NSL927DB | CORO 80

### Professional adjustable LED projector for wall or cornice installation with a fixed light beam opening



	2700K	H(m)	D(m)	Emax(lx)		
	Ra90		10°			
	Fixture Power	9W	1	0.17	20710	
	Source Flux	888lm	2	0.34	5178	
	Fixture Flux	781lm	3	0.51	2301	
	Efficacy	88lm/W	4	0.68	1294	
TS2020	Imax=23323cd/klm	Imax	20710cd	5	0.85	828



#### SOURCE

High efficiency Chip on Board LED Ra90.

**Energy efficiency class:** F

**Nominal power:** 8,9W

**Nominal flux:** 888lm

**Colour rendering index:** 90

**Rf:** 92

**Rg:** 99

**CCT nominal:** 2700K

**Lifetime (L80/B10):** >50000h tq +25°C

#### ILLUMINOTECHNICAL CHARACTERISTICS

Optical systems with a fixed light beam opening: optical grade PMMA TIR lenses. Interchangeable lenses available as accessories (excluding the Narrow Spot optic).

**Optic:** LENS

**Beam angles:** NSP

**Optical efficiency:** 88%

**Fixture flux:** 781lm

**Luminous efficacy:** 88lm/W

**Photobiological safety:** Compliant with RG1 low risk group

#### MECHANICAL CHARACTERISTICS

Painted aluminium body, front ring and joints. Passive heat sink cooling system. Optical unit adjustability: +/-165° on the horizontal plane and 180° on the vertical plane with the possibility of mechanical aiming locking through single knob for both aiming locks. Articulated arm adjustable of 180° on the vertical plane. Graduated references at the articulated joints.

**Colour and finish:** Deep black

**Weight:** 1Kg

**Version:** LONG ARM

**Degree of protection:** IP20

#### ELECTRICAL CHARACTERISTICS

To be completed with driver available in electronic ON-OFF, dimmable DALI and Casambi control system versions.

**Fixture Power:** 9W

**Power supply:** 700mA

**Insulation Class:** CLASS 3

**Driver included:** NO

**Class F:** YES

**Ambient temperature:** 0°C / +25°C

#### INSTALLATION

To be completed with one of the dedicated installation systems: base for surface mounting, housing base with integrated driver, installation channel.

#### NOTES

Values related to the power consumption of the fixture do not take into account the consumption of the accessory driver, which depends on the choice of driver. Commissioning of the control system via free APP; the intervention of a specialist technician can be quoted on request.

#### WARRANTY

5 years.

*Due to the technological evolution of the electronic components, the data provided may be updated, and as such, confirmation must be requested during the order process.*

*Luminous flux and power supply have +/-10% tolerances with respect to the indicated value. tq +25°C (CIE 121).*

*We reserve the right to make technical changes.*

Targetti Sankey S.r.l.  
Via Pratese, 164  
50145 Firenze - Italy  
Tel: +39 055 37911  
targetti.com  
targetti@targetti.com

CCIAA Firenze  
Share Capital:  
€ 500.000,00  
VAT N. (IT):  
01537660480  
R.E.A: FI-275656

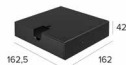
**TARGETTI**

# T044NSL927DB | CORO 80

Professional adjustable LED projector for wall or cornice installation with a fixed light beam opening

## Related codes

### Mounting System



Power supply	Output current	Driver	Colour	Code
220-240Vac	700mA	ON-OFF	●	<b>A074ELDB</b>
220-240Vac	700mA	DALI	●	<b>A074DADB</b>
220-240Vac	700mA	CASAMBI	●	<b>A074CADB</b>

Surface mounting base with integrated driver.

### Power Supply

Dimensions LxHxP mm	Power	Power supply	Output current	IP	Code
146x30x44	max 38W	220-240Vac	700mA	IP20	<b>1T9637DA</b>

DALI power supply.

Dimensions LxHxP mm	Power	Power supply	Output current	IP	Code
146x22x44	max 31W	220-240Vac	700mA	IP20	<b>1T9637EL</b>

Electronic ON-OFF power supply.

### Mounting System



Colour	Code
●	<b>A071DB</b>

Surface mounting base.



Colour	Code
●	<b>A072DB</b>

Surface mounting channel 900mm.  
The channel can be cut to length at intervals of 10cm.  
With three mounting bases for Coro "80" and "120".

## Accessories

### Filter



Ø mm	Code
50	<b>1T4721</b>

PMMA holographic filter with blade effect to ovalize the light beam; more evident when combined with spot and flood optics.  
No for DBS version.

### Screen



Ø mm	Code
50	<b>1T4325</b>

Black painted anodized diffusive aluminium asymmetric screen.  
Complete with blade light filter.  
Ideal for a Wall Washer effect.  
To be combined with spot and flood optics.  
No for DBS version.

*Due to the technological evolution of the electronic components, the data provided may be updated, and as such, confirmation must be requested during the order process.*  
Luminous flux and power supply have +/-10% tolerances with respect to the indicated value. tq +25°C (CIE 121).

We reserve the right to make technical changes.

Targetti Sankey S.r.l.  
Via Pratese, 164  
50145 Firenze - Italy  
Tel: +39 055 37911  
targetti.com  
targetti@targetti.com

CCIAA Firenze  
Share Capital:  
€ 500.000,00  
VAT N. (IT):  
01537660480  
R.E.A: FI-275656

**TARGETTI**

## T044NSL927DB | CORO 80

### Professional adjustable LED projector for wall or cornice installation with a fixed light beam opening

#### Grid



Ø mm	Code
50	<b>1T4322</b>

Anti-glare louver.  
Black painted metal honeycomb structure.  
Complete with holographic diffusion filter.  
No for DBS version.

#### Emergency Kit



Code
<b>A059</b>

Emergency kit composed of an inverter a LiFePO4 battery and a LED Green indicator. Allows permanent EP emergency use of the fixture it is connected to. The 1h or 3h autonomy can be selected by configuring the fixture. The batteries take 12h to completely recharge. LED Green indicator wired to the inverter through single-core cables L= 800mm. Emergency kit for fixtures that comply with EN 60598-2-22 standard, high risk areas excluded. Battery size 160x54x30 mm. Inverter size 165x40x25 mm.

#### Control systems



Code
<b>1T5349</b>

IP20 wireless control unit with DALI interface. It generates a local DALI2 bus, enabling a direct connection to a DALI interface LED driver. The module can only be used in a closed system and cannot be connected to an existing DALI network. The module is wireless controlled using a Casambi app for smartphones and tablets using Bluetooth 5.0 technology. The devices automatically create an adaptive, robust, and reliable wireless mesh network, allowing for the easy and efficient management of a high number of fixtures. The control unit is preset to the DALI 1CH profile, meaning the device can control a single DALI driver with broadcast commands. In addition to the DALI broadcast, other operating modes are available, such as:

- Button (normally open)
- Control unit 0/1-10V
- Control unit DALI Tunable White DT8
- Presence sensor



Code
<b>2T0131</b>

IP20 Extender for wireless control of LED driver with dimming DALI (or 1-10V) interface based on Casambi technology. It has a DALI2 output with the capacity to control up to 40 lighting fixtures. With the addition of a further external BUS DALI power supply it is possible to control up to 64 fixtures. IP20 Extender is preset to the DALI broadcast profile, meaning all the luminaires connected to it are dimmable at the same level. In addition to the DALI broadcast other operating modes are available, such as:

- EXTENDER DALI 8CH
- EXTENDER DALI Tunable White
- EXTENDER 0/1-10V
- EXTENDER DALI 4CH
- EXTENDER DALI DT8 Tunable White

Due to the technological evolution of the electronic components, the data provided may be updated, and as such, confirmation must be requested during the order process. Luminous flux and power supply have +/-10% tolerances with respect to the indicated value. tq +25°C (CIE 121).

We reserve the right to make technical changes.

Targetti Sankey S.r.l.  
Via Pratese, 164  
50145 Firenze - Italy  
Tel: +39 055 37911  
targetti.com  
targetti@targetti.com

CCIAA Firenze  
Share Capital:  
€ 500.000,00  
VAT N. (IT):  
01537660480  
R.E.A.: FI-275656

**TARGETTI**